



30.0 V W X Y Z A B C D E F G H I J K L M N O P Q R S T U V W X Y Z

- 30.0 VENDOR/SUPPLIER DIRECTORY
- 30.1 BAT AND BIRD HOUSES
- 30.2 BLOODBORNE PATHOGEN KITS
- 30.3 BUILDING HARDWARE SUPPLIES
- 30.4 CLEANING SUPPLIES
- 30.5 CUSTODIAL MACHINES
- 38.6 DIAPER CHANGING STATIONS
- 30.7 FANS
- 30.8 FLAGS
- 30.9 FURNACE/AIR HANDLER FILTERS
- 30.10 HAND DRYERS
- 30.11 HAND SANITIZERS
- 30.12 LIGHTING FIXTURE LENSES
- 30.13 MAP CASES - SEASONAL SITES
- 30.14 MATS - ENTRANCE & FATIGUE
- 30.15 OFFICE SUPPLIES
- 30.16 PAINT
- 30.17 PAPER PRODUCTS



- 30.18 PARTITION AND MISCELANEOUS HARDWARE
- 30.19 PEST CONTROL
- 30.20 PICNIC TABLES
- 30.21 PURSE HOLDERS
- 30.22 RECYCLING CONTAINERS & LOGOS
- 30.23 RESTROOM FIXTURES AND VALVES
- 30.24 SANITARY NAPKIN DISPOSAL CONTAINER WASHABLE INSERTS
- 30.25 SHARPS CONTAINERS
- 30.26 SIGNAGE
- 30.27 TOILETS - SEASONAL SITES
- 30.28 UNIFORMS
- 30.29 VAULT TREATMENT PRODUCTS
- 30.30 WATER HAND PUMPS

BAT AND BIRD HOUSES

Natural Mosquito Reduction Program:

Highline Corporation

100 Cary Road Hwy 77

PO Box 218

Hurley, WI 54534-0218

Phone: 715-561-4517 ext. 130

Fax: 715-561-3103

Contact: Jim Perry, RAM Contract Manager

E-mail: jperry@highlinecorp.org

highlinecorp.org/



Contact the DSPN office for signage.



BLOODBORNE PATHOGEN KITS

SOURCE:

Conney Safety Supply

3202 Latham Drive
Madison, WI 53744-4190
Phone: 888-356-9100
Fax: 800-845-9095
www.conney.com

Lab Safety Supply

401 South Wright Street
PO Box 1368
Janesville, WI 53546
Phone: 800-356-0783
Fax: 800-543-9910
www.labsafety.com

Masune First Aid Safety

Order 24 Hours/7 Days
Phone: 800-831-0894
Fax: 800-222-1934
www.masune.com

BUILDING HARDWARE SUPPLIES

HD Supply Solutions

Phone: 800-431-3000 (7am to 9pm ET Monday through Friday) Fax: 800-859-8889 (24 hours a day, 7 days a week)

<https://hdsupplysolutions.com/shop/home>

Home Depot

www.homedepot.com

Menards

www.menards.com

CLEANING SUPPLIES

D'Orazio Cleaning Supply, Inc.

1042 Park Street
P.O. Box 198
Oregon, WI 53575
Phone: 608-835-2424
Cell: 608-575-0789 (Steve D'Orazio)
Fax: 608-835-2442 or 800-644-8608
E-mail: doraziocln@aol.com
www.doraziocleaningsupply.com

East Shore Industries/Algoma Manufacturing

813 Rabas Street
Algoma, WI 54205
Phone: 920-487-3541
Fax: 920-487-3478
www.eastshoreindustries.com

Harder-Helsley

5301 Verona Road
Madison, WI 53711
Phone: 800-261-3400 (Sue Zimmerman)
Cell: 815-979-5713 (Bob Woelky)
Fax: 608-271-4677

Staples Advantage

120 W. Opus Drive
Oak Creek, WI 53154
Phone: 414-216-6138 (Rod Pflederer)
Fax: 414-216-6001
E-mail: rod.pflederer@staples.com
<http://www.staplesadvantage.com>

CUSTODIAL MACHINES

The following sources are for touchless cleaning, vacuums, floor machines, and air movers:

Betco

1-888-GO-BETCO (1-888-462-3826.)

7:30 AM to 5:30 PM EST, M-F

<http://www.betco.com>

D'Orazio Cleaning Supply, Inc.

1042 Park Street

P.O. Box 198 Oregon, WI 53575

Phone: 608-835-2424

Cell: 608-575-0789 (Steve D'Orazio) Fax: 608-835-2442 or 800-644-8608

E-mail: doraziocln@aol.com www.doraziocleaningsupply.com

Harder-Helsley

5301 Verona Road

Madison, WI 53711

Phone: 800-261-3400 (Sue Zimmerman) Cell: 815-979-5713 (Bob Woelky)

Fax: 608-271-4677

Hillyard

Phone: 1-800-365-1555

<http://www.hillyard.com/>

Kaivac

Phone: 1-800-287-1136

E-mail: info@kaivac.com <http://www.kaivac.com/>

Square Scrub'

Phone: (800) 557-6822

Email: sales@squarescrub.com

<https://www.squarescrub.com/>

Powr-Flite

3101 Wichita Court

Fort Worth, TX 76140-1710 Phone: 800-880-2913

Fax: 817-551-0719

<http://www.powrflite.com/>

Distributors: Messner, Inc.

1326 E. Washington Ave. Madison, WI 53703

Phone: 608-256-0695

Fax: 608-256-7094

<https://www.nasscoinc.com/messnerwelcome.cfm>

Right Choice Janitorial Supply

6464 N Teutonia Ave. Milwaukee, WI 53209

Phone: 414-716-2000

<http://www.rchoicewi.com/Index.html>

KTD Industries, Inc.

South 83 West 18770 Saturn Drive
Muskego, WI 53150
Phone: 262-679-2400

SAN-A-CARE, Inc.

W223 N605 Saratoga Drive Waukesha, WI 53186
Phone: 800-359-9053 262-521-9500
Fax: 262-521-9592
<http://www.san-a-care.com/>

Staples Advantage 120 W. Opus Drive Oak Creek, WI 53154

Phone: 414-216-6138 (Rod Pflederer) Fax: 414-216-6001
E-mail: rod.pflederer@staples.com <http://www.staplesadvantage.com>

DIAPER CHANGING STATIONS

Bobrick

E-mail: info@bobrick.com

<http://www.bobrick.com/>

Koala

5111 Telegraph Ave, Suite 320

Oakland, CA 94609

Phone: 866-465-3294, Sales

Fax: 925-253-7455

E-mail: <mailto:sales@babychangingstations.com> (Sales) or

<mailto:cservice@babychangingstations.com> (Customer Service)

<http://www.babychangingstations.com/>

Lab Safety Supply

PO Box 1368

Janesville, WI 53546

Phone: 800-356-0783

Fax: 800-543-9910

<http://www.labsafety.com/>

FANS

SOURCE: The following source is for electric fans for wayside restrooms:

Product # Model G-090-G

Vyron-Fox Valley

1540 Capital Dr.
Green Bay, WI 54303
Phone: 920-405-8822
Contact: Pegg Hahn – Sales
www.vyron.com

Vyron-Madison

5341 W. River Rd. Unit A
Waunakee, WI 53597
Phone: 608-850-3400
Contact: Sue Lachance - Sales
www.vyron.com

Vyron-Milwaukee

Corporate Headquarters
3185 Gateway Rd.
Brookfield, WI 53045
Phone: 262-783-3600
Fax: 262-783-3610
Contact: Linda Delcase – Sales
www.vyron.com

Vyron-Wausau

6006-C Hilgemann Street
Schofield, WI 54476
Phone: 715-355-0200
Fax: 715-355-0205
www.vyron.com

Vyron- Wisconsin Rapids

P.O. Box 35
132 E. Grand Ave.
Wisconsin Rapids, WI 54495-0035
Phone: 715-421-2100
Fax: 715-423-1181
Contact: Cheryl Yeske – Sales
E-mail: cyeske@vyron.com
www.vyron.com

FLAGS

Sources: All of the following companies supply U.S. flags, Wisconsin State flags, and MIA/POW flags.

American Legion Company

Phone: 888-453-4466
<https://emblem.legion.org/>

Eder Flag Mfg. Co.

1000 W Rawson Avenue
Oak Creek, WI 53154
Phone: 414-764-3522 or 800-558-6044
Fax: 800-333-7329
E-mail: sales@ederflag.com
www.ederflag.com

Flag Center

2954 N 117th Street
Wauwatosa, WI 53222
Phone: 414-778-1776
www.flagcenter.net/

Freedom Flag & Pole Company

1608 Laurel Avenue
Eau Claire, WI 54701
Phone: 715-832-1872
Fax: 715-552-5200
www.freedomflagandpole.com

Horizon Flag & Banner, Inc.

9209 W Bluemound Road
Milwaukee, WI 53226
Phone: 414-453-9848
Fax: 414-453-3083
www.horizonflag.com/

Liberty Flag & Specialty

E7556 Hwy 33 East
Reedsburg, WI 53959
Phone: 800-274-7001 (Mon-Sat)
Fax: 608-524-8238
E-mail: liberty@libertyflag.com
www.liberty-flag.com

Olympus Flag & Banner

9000 W heather Avenue
Milwaukee, WI 53224
Phone: 800-558-9620
<https://www.olympusgrp.com/us-flag-products/>

Presidential Flag & Pole Co.

4620 S Cleanwater Place
New Berlin, WI 53151-6810
Phone: 414-425-6779
Fax: 414-425-8011

VFW

P.O. Box 1623
214 N. Hamilton Street Madison,
WI 53701-1623 Contact: Steve
Lawrence Phone: 608-255-6655
Fax: 608-255-0652
E-mail: wivfw@tds.net
www.vfw.org

* For free POW/MIA flags,
contact the DSPN office

FURNACE / AIR HANDLER FILTERS

Disposable and washable:

Allergy-Free

Planet Technologies, Inc.
DBA Allergy Free
6835 Flanders Drive, Suite 100
San Diego, CA 92121
Phone: 800-255-3749 (ALLERGY)
Fax: 858-457-4713
E-mail: info@allergy-free.com
www.800allergy.com

Filters America.com, Inc.

875 Wedgewood Drive
Crystal Lake, IL 60014
Phone: 847-669-3715
www.filtersamerica.com

HD Supply Inc.
Headquartered Atlanta GA
Phone Orders: 800-431-3000
www.hdsupplysolutions.com

HAND DRYERS

Excel Dryer, Inc.

357 Chestnut Street
PO Box 365
East Longmeadow, MA 01028
Phone: 413-525-4531
Fax: 413-525-2853
E-mail: sales@exceldryer.com
www.exceldryer.com/

World Dryer Corp.

5700 McDermott Drive
Berkeley, IL 60163
Phone: 866-322-8739
www.worlddryer.com

HAND SANITIZERS

The following vendor is recommended for seasonal wayside sites:

Harder-Helsley

PURELL FOAMING HAND SANITIZER

5301 Verona Road

Madison, WI 53711

Phone: 800-261-3400 (Sue Zimmerman)

Cell: 815-979-5713 (Bob Woelky)

Fax: 608-271-4677

LIGHT FIXTURE LENSES AND OTHER ACCESSORIES – REST AREAS

Lighting Plastics Solutions

Website: www.mylpsolutions.com

MAP CASES – SEASONAL SITES

SOURCE: The following work center builds map cases currently found at RAM seasonal sites.

Highline Corporation

100 Cary Road Hwy 77

PO Box 218

Hurley, WI 54534-0218

Phone: 715-561-4517 ext. 130

Fax: 715-561-3103

Contact: Jim Perry, RAM Contract Manager

E-mail: jperry@highlinecorp.org

Website: highlinecorp.org/

MATS - ENTRANCE & FATIGUE

Beyond Vision

5316 W. State St.
Milwaukee, WI 53208

CLICK HERE for product and pricing information

Phone: 414-778-5800

Fax: 414-778-5805

Website: <http://www.beyondvision.com/floor-mats/>

MATS MATS MATS

6303 Owensmouth Ave.
Woodland Hills, CA 91367

Monday - Friday 9 AM - 5 PM (Pacific)

Phone: 877-777-6287 or 818-936-2616

Fax: 818-337-7464

www.matsmatsmats.com

OFFICE SUPPLIES

Office Depot

Contact: Lynn Reinders, Territory Development Manager
Phone: 608-334-6727 or 888-2-OFFICE (Customer Service)
Fax: 630-653-2595
E-mail: Lynn.Reinders@OfficeDepot.com
<http://bsd.officedepot.com/>

Staples Advantage

120 W. Opus Drive
Oak Creek, WI 53154
Phone: 414-216-6138 (Rod Pflederer)
Fax: 414-216-6001
E-mail: rod.pflederer@staples.com
<http://www.staplesadvantage.com>

PAINT

Home Depot

Phone: 1-800-466-3337

www.homedepot.com/

Menards

www.menards.com

Sherwin-Williams Stores

www.sherwin-williams.com

PAPER PRODUCTS

Harder-Helsley

5301 Verona Road

Madison, WI 53711

Phone: 800-261-3400 (Sue Zimmerman)

Cell: 815-979-5713 (Bob Woelky)

Fax: 608-271-4677

PARTITIONS AND MISC. HARDWARE

Bobrick

E-mail: info@bobrick.com

<http://www.bobrick.com/>

La Force, Inc.

2602 Agriculture Drive

Madison, WI 53718

Phone: 800-696-6311

608-222-2424

<https://laforceinc.com/>

Quality Door & Hardware

Division of Wisconsin Valley Concrete Products

Contact: Joe Siegler

P.O. Box 668

Wisconsin Rapids, WI 54495

Phone: 715-423-7500 or 800-472-7301

Fax: 715-423-7102

E-mail: gdhsales@wvcp.com or jsiegler@wvcp.com

www.wvcp.com

SAN-A-CARE, Inc.

W223 N605 Saratoga Dr

Waukesha, WI 53186

Phone: 262-521-9500 or 800-359-9053

Fax: 262-521-9592

www.san-a-care.com/

PEST CONTROL

Source: The following source can give a quote on all of the facilities in Wisconsin to reduce the flies, moth flies, drain flies, and Asian lady beetles population inside rest areas and knock down spider webs and spray for spiders. Rodent control is always included in their programs.

Plunkett's Pest Control

John Gonzales, Jr., WI & MN Certified Journeyman/Fumigator
40 NE Way
Fridley, MN 55421
Phone: 866-906-1780 (Office)

OR

N8652 County Road F
Berlin, WI 54923
Phone: 920-229-5750 (Home)
E-mail: gonzomarine@centurytel.net

PICNIC TABLES

Source: *RENEW Plastics* is specifically used for movable picnic tables and *R. J. Thomas (Pilot Rock)* is specifically used for stationary picnic tables. **All new wood picnic tables must be painted.**

RENEW Plastics

Steven Drab, Customer Service
112 - 4th Street
P.O. Box 480
Luxemburg, WI 54217-0480
Phone: 920-845-2326 ext. 142 or 800-666-5207
Fax: 920-845-2335
www.renewplastics.com

R. J. Thomas Mfg. Co., Inc.

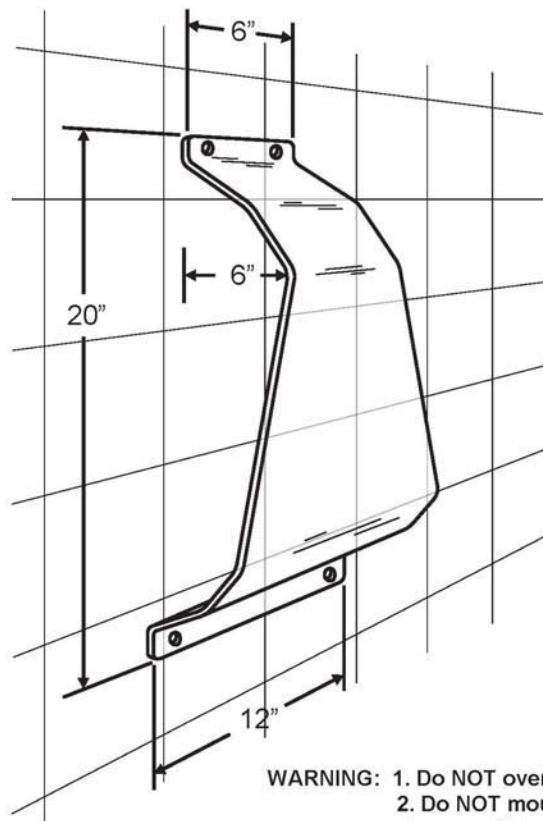
Pilot Rock
P.O. Box 946
Cherokee, IA 51012-0946
Phone: 712-225-5115 or 800-762-5002
Fax: 712-225-5796
E-mail: pilotrock@rithomas.com
www.pilotrock.com

PURSE HOLDERS

Product #108455 Purse Wrap Acrylic 3/16"

Jacknob
290 Oser Ave
PO Box 18032
Hauppauge NY 11788
Phone: 866-452-3672
Fax: 800-408-0330
www.jacknob.com/

110300, 108455
THE POUCH/PURSE WRAP



WARNING: 1. Do NOT over tighten.
2. Do NOT mount behind door or within door's swing.

Material: 3/16" Acrylic
Mounting Holes (4) - 1/4" Dia.

Copyright - 2006 Jacknob Corp. all rights reserved Revised - 3/20/07



RECYCLING CONTAINERS & LOGOS

Recycling Signs: Use the form in Section 31.14 of your RAM Program Manual to order RAM signs.

To order recycling containers contact:

Wausau Tile, Inc.

9628 Sandhill Drive

Weston, WI 54476

Phone: 715-359-5441 or 800-388-8728

Cell Phone: 715-581-1631

Email: wtile@wausautile.com

www.wausautile.com

RESTROOM FIXTURES AND VALVES

Bobrick

E-mail: info@bobrick.com

<http://www.bobrick.com/>

FaucetDirect.com

(Faucets and Parts)

Phone: 800-864-2555

E-mail: cs@faucetdirect.com (Customer Service / Sales)

www.faucetdirect.com

Ferguson

Headquartered:

PO Box 2778

12500 Jefferson Avenue

Newport News, Virginia 23602, USA

<http://www.ferguson.com>

LaForce, Inc.

2602 Agriculture Drive

Madison, WI 53718

Phone: 800-236-8858 or 608-222-2424

<https://laforceinc.com/>

Plumbing Warehouse

994 E. 20th Street, Suite H

Chico, CA 95928-6712

Phone: 800-581-6162

Fax: 866-744-0521

www.plumbingwarehouse.com

Quality Door & Hardware Division of Wisconsin Valley Concrete Products

Contact: Joe Siegler

P.O. Box 668

Wisconsin Rapids, WI 54495

Phone: 715-423-7500 or 800-472-7301

Fax: 715-423-7102

E-mail: qdhsales@wvcp.com or

jsiegler@wvcp.com

www.wvcp.com

SAN-A-CARE, Inc.

W223 N605 Saratoga Drive

Waukesha, WI 53186

Phone: 800-359-9053

262-521-9500

Fax: 262-521-9592

<http://www.san-a-care.com/>

SANITARY NAPKIN DISPOSAL CONTAINER WASHABLE INSERTS

Order: "TOP OF PART NO. 254-36" 10' x 8" x 4"

Bobrick

E-mail: info@bobrick.com

<http://www.bobrick.com/>

SHARPS CONTAINERS

Conney Safety Supply

3202 Latham Drive
Madison, WI 53744-4190
Phone: 888-356-9100
Fax: 800-845-9095
www.conney.com

Lab Safety Supply

401 South Wright Street
Janesville, WI 53546
Phone: 800-472-4643
Fax: 800-543-9910
www.labsafety.com

SIGNAGE

Emedco

Phone: 800-243-6624 (Monday – Friday 8 a.m. – 7 p.m. EST)

Website: www.emedco.com

Seton

Phone: 800-571-2596 (Monday – Friday 7:30 a.m. – 7 p.m. EST)

Website: www.seton.com

TOILETS – SEASONAL SITES

SOURCE: The following sources may provide toilet/urinal parts found at RAM seasonal sites.

Far North Fiberglass

49D MacDonald Road

Whitehorse, Yukon Territory

Canada Y1A 4R1

Phone: 866-324-0558

Email: fnf@northwestel.net

<https://www.farnorthfiberglass.com/>

Romtec.

18240 North Bank Rd.

Roseburg, OR 97470

Phone: 541-496-3541

Fax: 541-496-0803

E-mail: service@romtec.com

<http://www.romtec.com/>

RAM UNIFORMS

Uniform vendors may be changed or added as better pricing or quality is obtained.

Hi-Viz Safety Wear

69 Claremont Road
Wayne, NJ 07470-5125
Phone: 888-554-4849
Fax: 973-831-1505

<http://hi-vizsafetywear.com/>

N&N Designs

1285 N. Parker Dr
Janesville, WI 53545
Phone: 608-752-7372

Reflective Apparel

The Reflective Apparel Factory
1649 Sands Place SE
Suite J
Marietta, GA 30067

Toll Free: 866-998-2649

Phone: 770-988-9988 ext. 109

Fax: 770-988-0388

E-mail: sales@reflectiveapparel.com

www.reflectiveapparel.com/

Wholesale Hats

39301 Badger Street, Unit 600
Palm Desert, CA 92211
Phone: 800-745-1667 (Monday-Friday, 8 a.m. – 4:30 p.m. PST)
Contact: Mike Piazza, RAM Contract Manager

<http://www.wholesalehats.com/>

VAULT TREATMENT PRODUCTS

ATHEA #502 DIGESTASE

CTL Company, Inc.
7713 Bombardier Court
P.O. Box 449
Wausau, WI 54402-0449
Phone: 715-845-8281
Fax: 715-848-3707

SPARTAN BRAND “CONSUME P.O.W.”

Harder-Helsley
5301 Verona Road
Madison, WI 53711
Phone: 800/261-3400 (Sue Zimmerman)
Cell: 815-979-5713 (Bob Woelky)
Fax: 608-271-4677

WATER HAND PUMPS

Source: Call *Baker Mfg. Co.* for information and a catalog.

Baker Manufacturing Co.

133 Enterprise Street

Evansville, WI 53536

Phone: 608-882-5100 or 800/871-9250

Fax: 608-882-3777

www.haightpump.com